

## TECHNICAL DATA SHEET



# KRASO® Floor Drain - KG 2000

### Application area

Floor drain for the drainage of grey water. According to DIN EN 1253 for the installation in interior areas without traffic.

### Material

Body	PP (full wall material)
4 Seal	TPE
Foil flange <sup>1</sup>	EPDM
Insert frame	PP
Grate	PP
Lip seal	SBR

### Tests

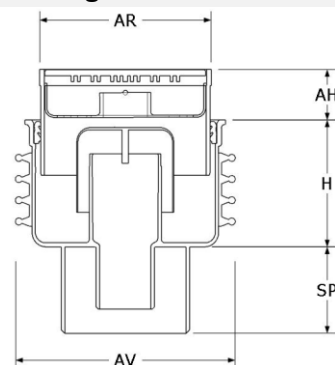
- Radon-tight: protects against a harmful concentration of the radioactive noble gas.
- Dimensionally and pressure resistant solid wall material: low abrasion, easy installation at low temperatures.
- Temperature resistance up to 90°C.
- In accordance with DIN EN 1253
- MPA-tested up to 10 bar
- Drainage capacity 1,79 l/s
- Load class K3
- <sup>1</sup>optionally available with KRASO® Foil Flange, oil- and bitumen resistant

Test certificates [In our download area](#)

### Product image



### Technical drawing




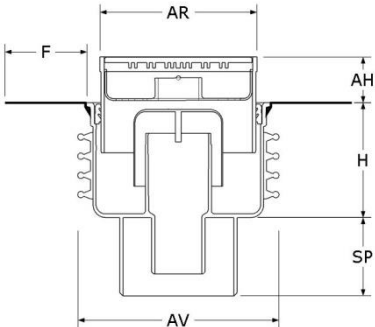
### Type BA

H   Body height	108
SP   Spigot (mm)	73
AH   Insert frame height (mm)	30 - 70
AR   Insert frame (mm)	150 x 150
AV   Ø 4 Seal external (mm)	188
Weight (kg)	1,23
Item no.	K2BA
Pipe connection Ø	optionally DN 50 or DN 110

## TECHNICAL DATA SHEET



# KRASO® Floor Drain - KG 2000

Product image	Technical drawing
	

Type BA with foil flange	
H   Body height	108
SP   Spigot (mm)	73
AH   Insert frame height (mm)	30 - 70
AR   Insert frame (mm)	150 x 150
AV   Ø 4 Seal external (mm)	188
F   Foil flange (mm)	ca. 150
Weight (kg)	1,8
Item no.	K2BAF
Pipe connection Ø	optionally DN 50 or DN 110